

Provence P2W  
(J006/J503)  
PARTS CATALOG

First edition, July 2005

Ricoh Company, LTD.

Provence P2W (J006/J503)

## Provence P2W (J006/J503)

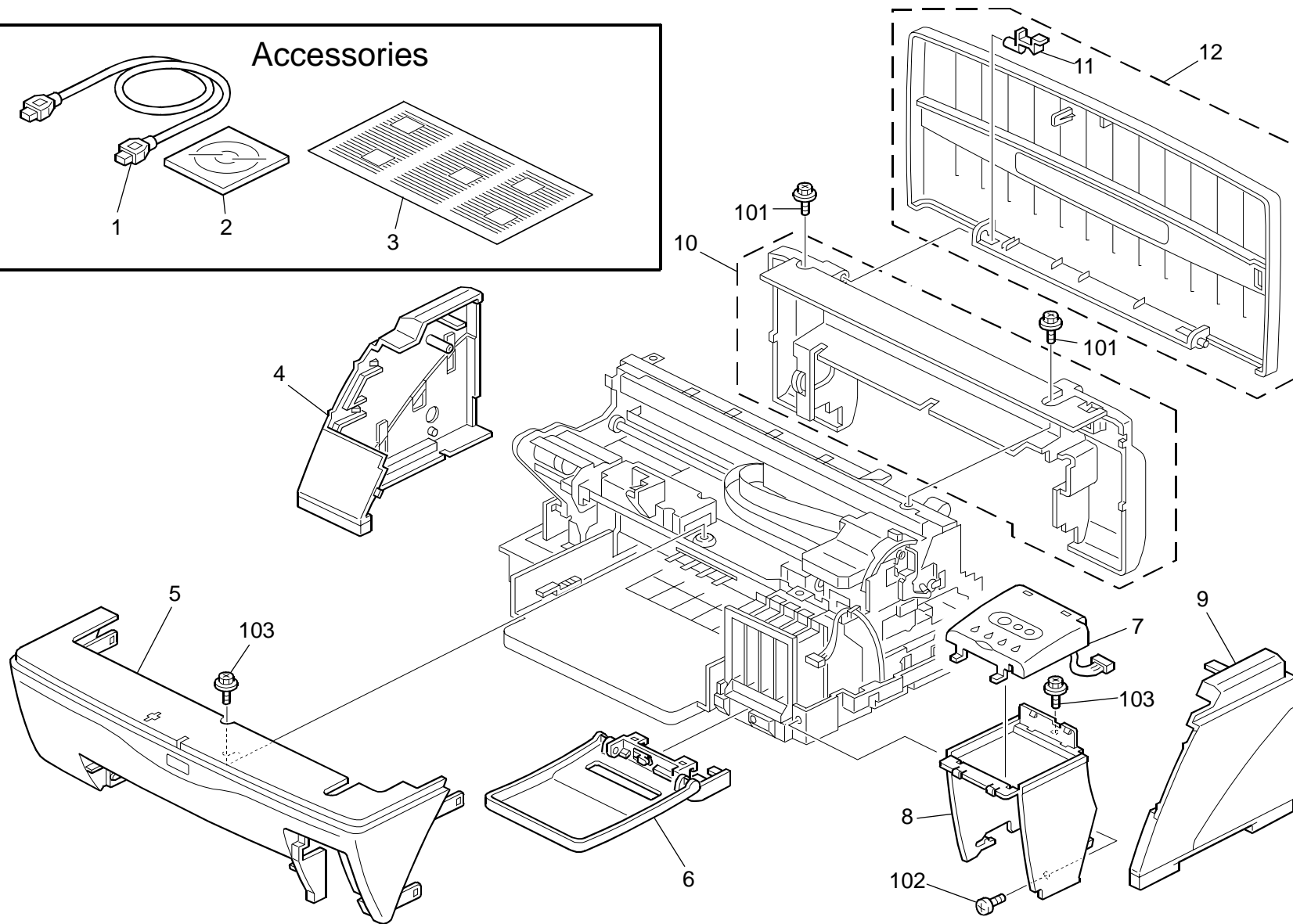
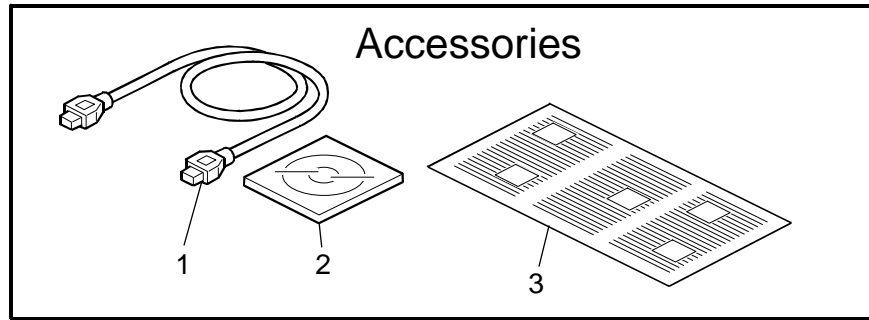
### PARTS CATALOG

This catalog gives the numbers and names of parts on this machine.

1.Exterior (J006) .....	2
2.Paper Cassette (J006) .....	4
3.Frame Section (J006).....	6
4.Duplex Unit (J006).....	8
5.Option Paper Feed Unit 1 (J503) .....	10
6.Option Paper Feed Unit 2 (J503) .....	12
<b>Parts Index .....</b>	<b>15</b>

July ,16 ' 2005

# 1.Exterior (J006)

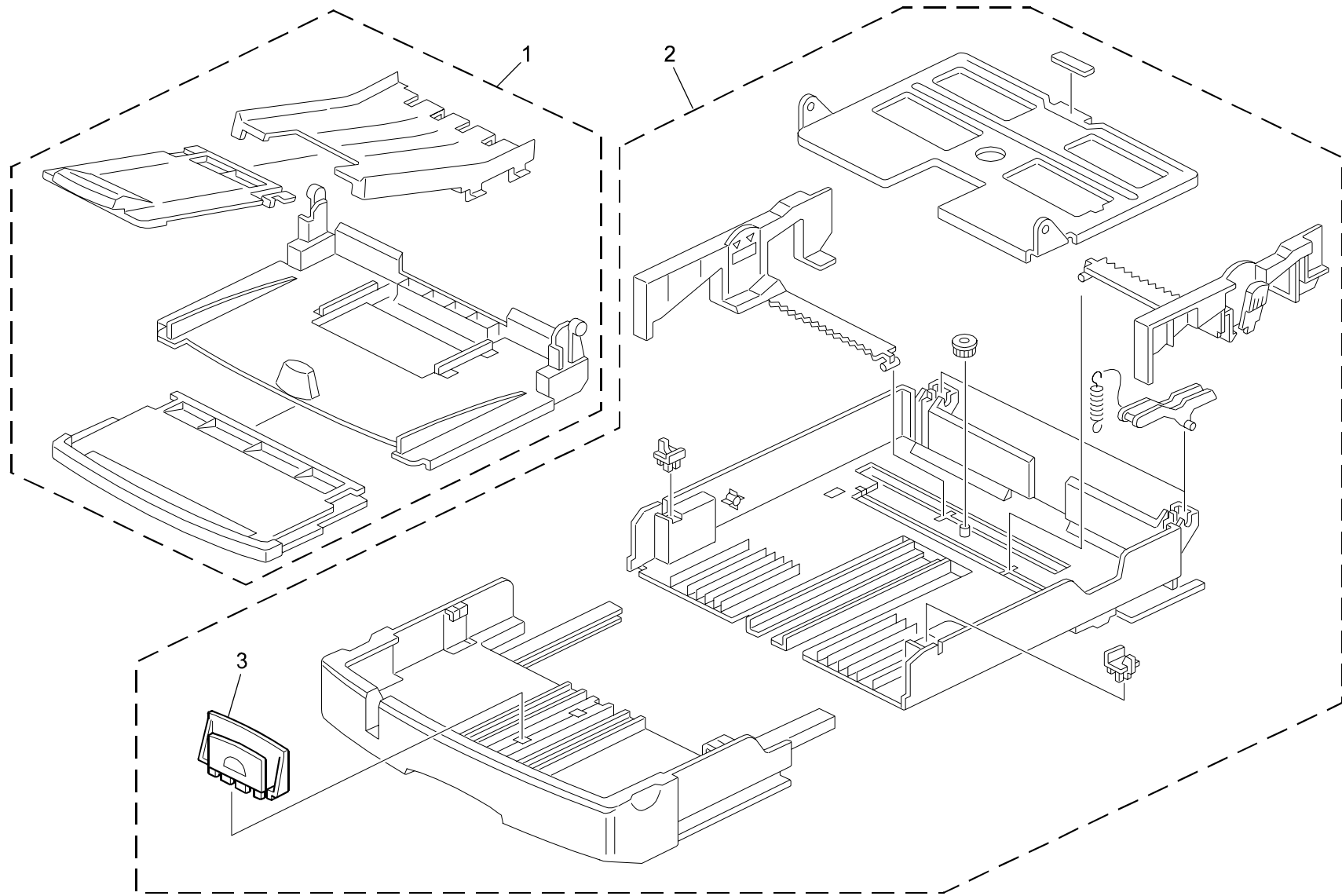


## 1.Exterior (J006)

Index No.	Part No.	Description	Q'ty Per Assembly
1	J001 5452	Usb Cable	1
2	J006 6624	IC:Driver:Manual:NA	1
3	J006 6610	Installation Procedure:NA	1
4	J006 0166	Cover:Left:Ass'y	1
5	J006 0164	Cover:Front:Ass'y	1
6	J006 0169	Cover:Open And Close:Ink Cartridge:Ass'y	1
7	J006 0161	Operation Sub-unit:Ass'y (NA)	1
7	J006 0171	Operation Sub-unit:Ass'y (EU)	1
8	J006 0168	Cover:Open And Close:Ink Cartridge:Ass'y	1
9	J006 0165	Cover:Right:Ass'y	1
10	J006 1553	Cover:Rear	1
11	J004 1515	Shaft:Cover:Upper	1
12	J006 0162	Cover:Upper:Ass'y	1

Index No.	Part No.	Description	Q'ty Per Assembly
101	0451 3006N	Tapping Screw - 3x6	
102	0452 3008N	Tapping Screw - M3x8	
103	0454 3006Q	Tapping Screw:3x6	

## 2.Paper Cassette (J006)

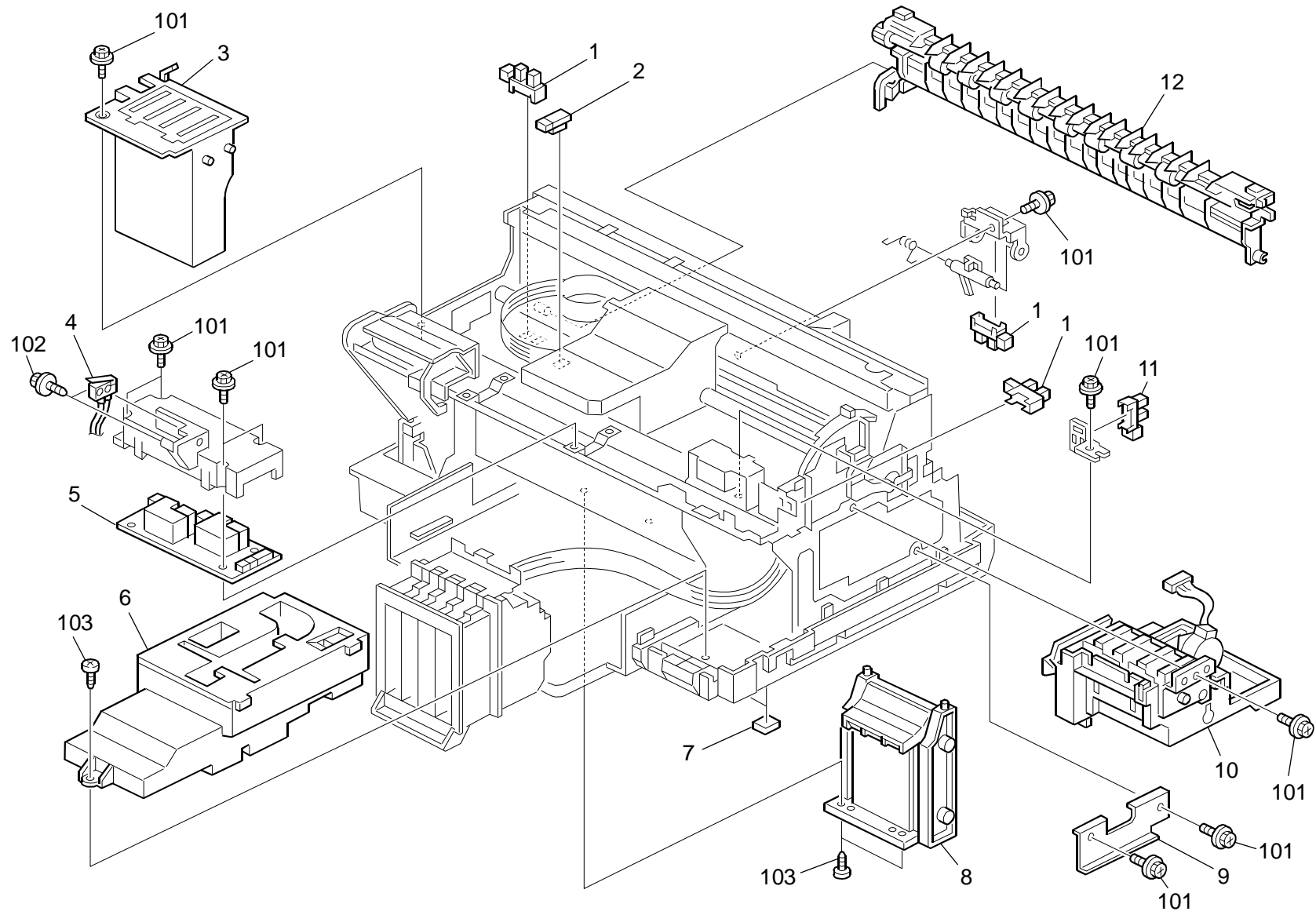


## 2.Paper Cassette (J006)

Index No.	Part No.	Description	Q'ty Per Assembly
1	J006 0481	Tray:Exit:Ass'y	1
2	J006 0031	Paper Feed:Cassette:Ass'y	1
3	J006 3003	End Fence	1

Index No.	Part No.	Description	Q'ty Per Assembly
-----------	----------	-------------	-------------------

### 3.Frame Section (J006)



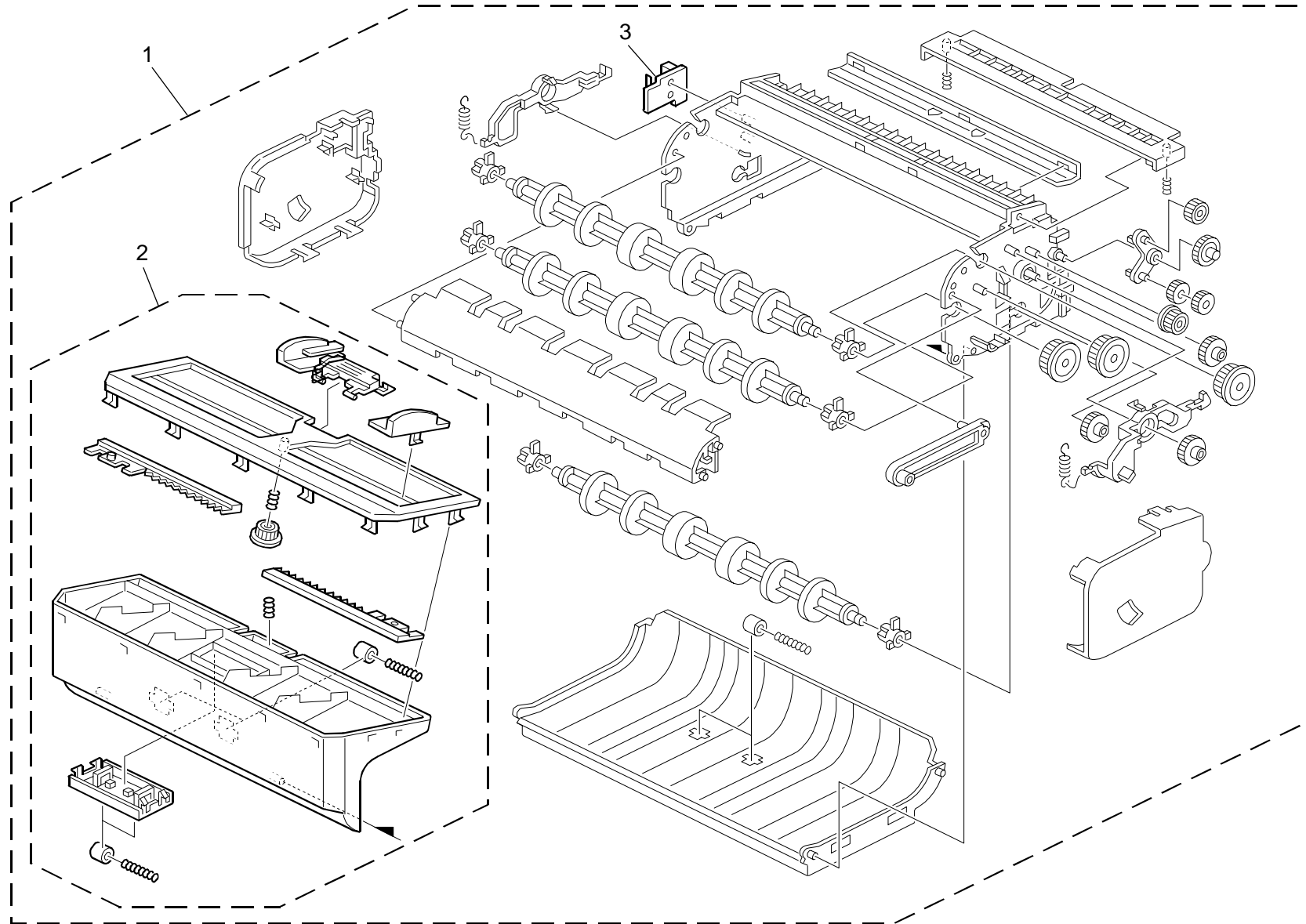


### 3.Frame Section (J006)

Index No.	Part No.	Description	Q'ty Per Assembly
1	AW02 0145	Photointerruptor:Flat	4
2	1403 1301	Photointerruptor:SG113-RC80	1
3	J006 4200	Holder:Left:Ass'y	1
4	J006 5422	Safety Switch:Cover:Upper	1
5	J006 5350	Power Pack	1
6	J006 0433	Tank:Used Develper:Ass'y	1
7	J001 1008	Rubber Foot	2
8	J006 3018	Separation Unit:Ass'y	1
9	J006 4195	Stopper:Maintenance	1
10	J006 0413	Maintenance Recovery:Ass'y	1
11	AW02 0150	Photointerruptor:Flat:7mm	1
12	J006 2705	Guide:Reverse:Ass'y	1

Index No.	Part No.	Description	Q'ty Per Assembly
101	0451 3006N	Tapping Screw - 3x6	
102	0450 4008N	Tapping Screw - M4x8	
103	0452 3008N	Tapping Screw - M3x8	

## 4. Duplex Unit (J006)

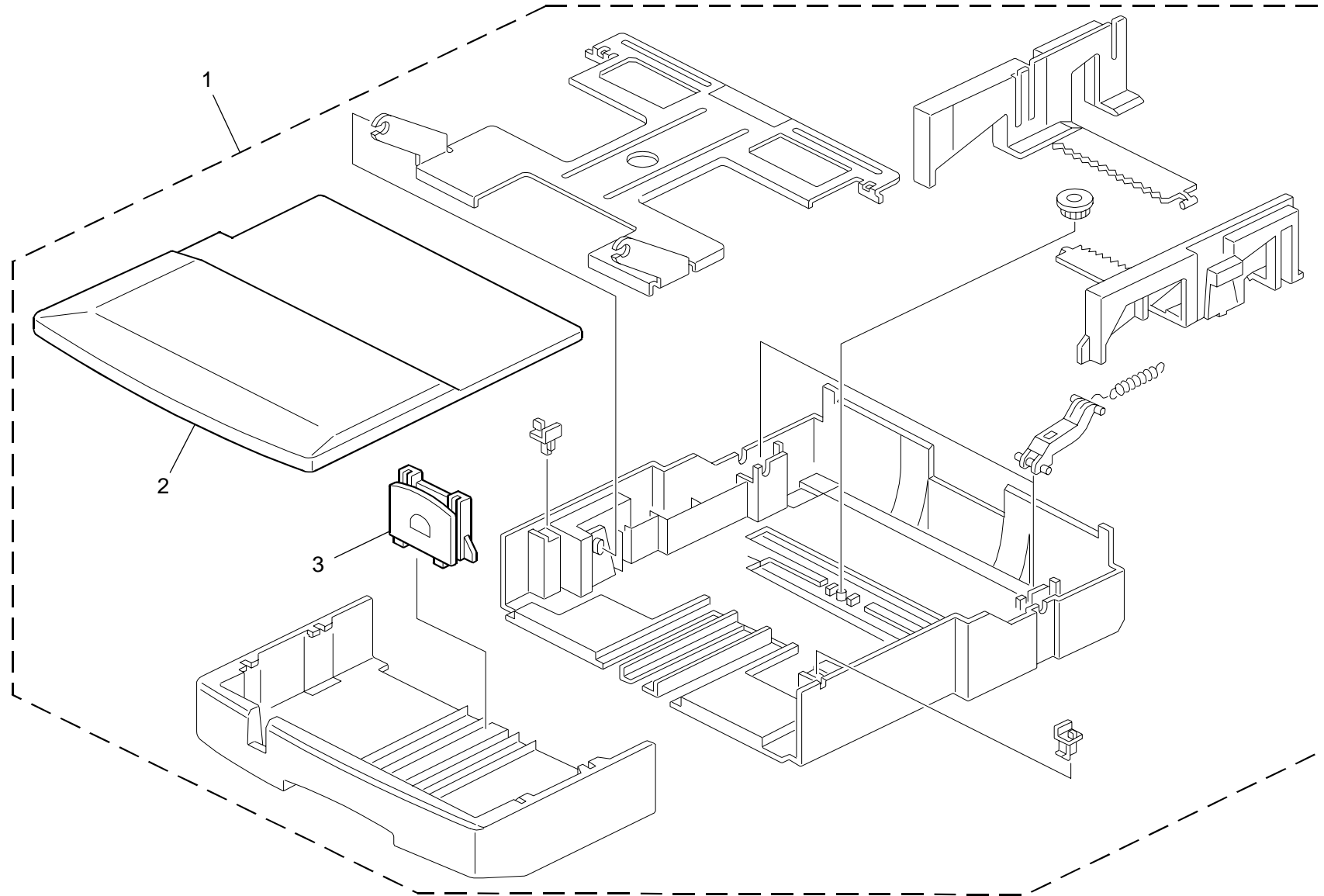


#### 4. Duplex Unit (J006)

Index No.	Part No.	Description	Q'ty Per Assembly
1	J006 0680	Duplex Section:A3:Ass'y	1
2	J006 0681	Guide Plate:Open And Close:Ass'y	1
3	J003 6830	PCB Duplex Unit	1

Index No.	Part No.	Description	Q'ty Per Assembly
-----------	----------	-------------	-------------------

## 5.Option Paper Feed Unit 1 (J503)

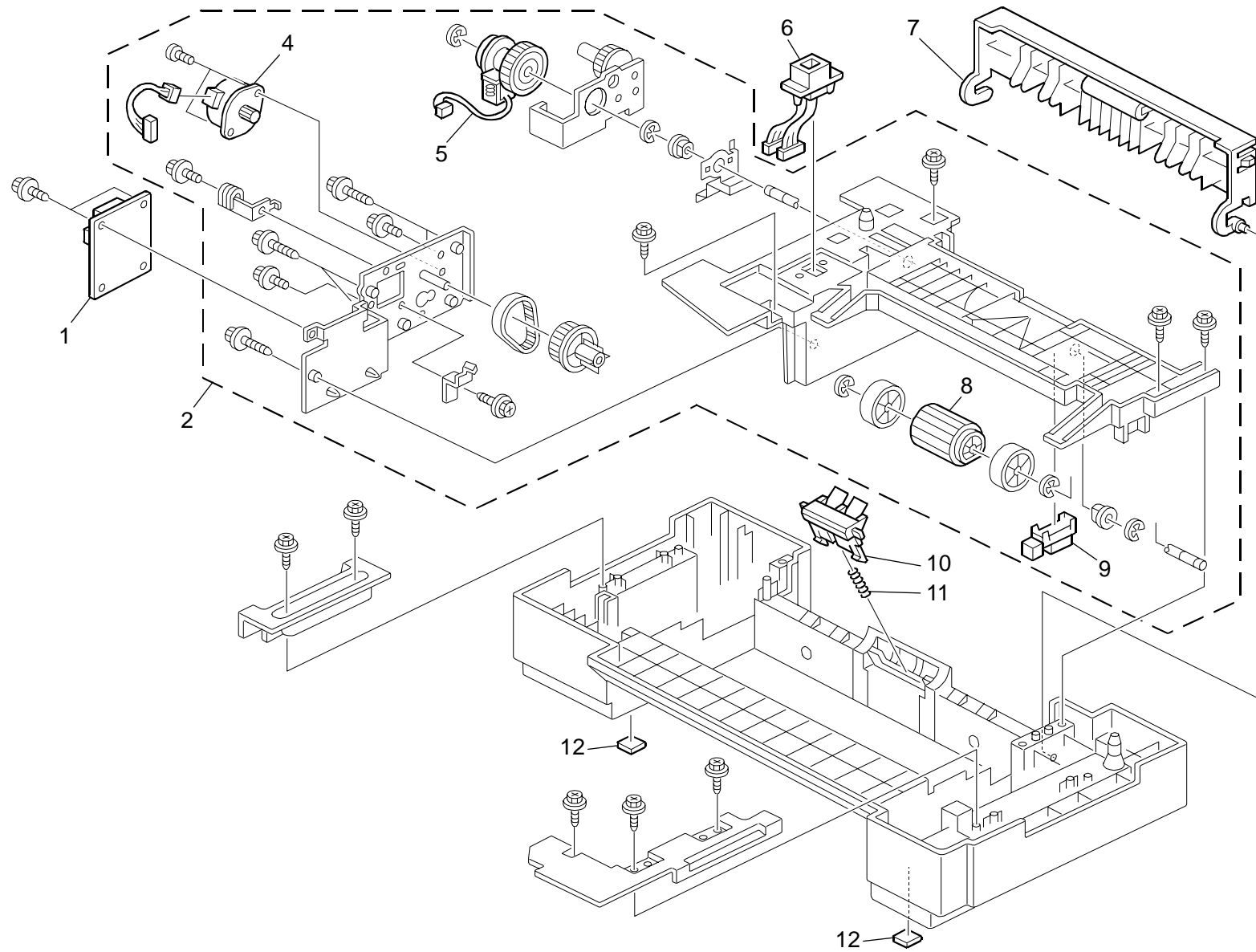


### 5.Option Paper Feed Unit 1 (J503)

Index No.	Part No.	Description	Q'ty Per Assembly
1	J503 3017	Paper Feed:Paper Bank:EXP:Ass'y	1
2	J503 3065	Cover:Cassette:Ass'y	1
3	J503 3075	End Fence:Ass'y	1

Index No.	Part No.	Description	Q'ty Per Assembly

## 6.Option Paper Feed Unit 2 (J503)



## 6.Option Paper Feed Unit 2 (J503)

Index No.	Part No.	Description	Q'ty Per Assembly
1	J503 5100	PCB:Bank	1
2	J503 3117	Paper Feed Unit:Ass'y	1
4	AX04 0223	Stepper Motor:Drive	1
5	J503 5400	Spring Clutch:Feed	1
6	J503 5300	Harness:Drawer	1
7	J503 3200	Cover:Vertical Transport:Ass'y	1
8	J502 3010	Paper Feed Roller	1
9	AW01 0100	Paper Feed Sensor	1
10	J503 3250	Friction Pad:Ass'y	1
11	G800 3147	Pressure Spring - 2.8n	1
12	G555 1055	Cushion - Frame	1

Index No.	Part No.	Description	Q'ty Per Assembly

# Parts Index



## Parts Index

Part No.	Description	Page and Index No.
J006 0031	Paper Feed:Cassette:Ass'y	5 - 2
J006 0161	Operation Sub-unit:Ass'y (NA)	3 - 7
J006 0162	Cover:Upper:Ass'y	3 - 12
J006 0164	Cover:Front:Ass'y	3 - 5
J006 0165	Cover:Right:Ass'y	3 - 9
J006 0166	Cover:Left:Ass'y	3 - 4
J006 0168	Cover:Open And Close:Ink Cartridge:Ass'y	3 - 8
J006 0169	Cover:Open And Close:Ink Cartridge:Ass'y	3 - 6
J006 0171	Operation Sub-unit:Ass'y (EU)	3 - 7
J006 0413	Maintenance Recovery:Ass'y	7 - 10
J006 0433	Tank:Used Developer:Ass'y	7 - 6
J006 0481	Tray:Exit:Ass'y	5 - 1
J006 0680	Duplex Section:A3:Ass'y	9 - 1
J006 0681	Guide Plate:Open And Close:Ass'y	9 - 2
J006 1553	Cover:Rear	3 - 10
J006 2705	Guide:Reverse:Ass'y	7 - 12
J006 3003	End Fence	5 - 3
J006 3018	Separation Unit:Ass'y	7 - 8
J006 4195	Stopper:Maintenance	7 - 9
J006 4200	Holder:Left:Ass'y	7 - 3
J006 5350	Power Pack	7 - 5
J006 5422	Safety Switch:Cover:Upper	7 - 4
J006 6610	Installation Procedure:NA	3 - 3
J006 6624	IC:Driver:Manual:NA	3 - 2

Part No.	Description	Page and Index No.
G555 1055	Cushion - Frame	13 - 12
G800 3147	Pressure Spring - 2.8n	13 - 11
J001 1008	Rubber Foot	7 - 7
J001 5452	Usb Cable	3 - 1
J003 6830	PCB Duplex Unit	9 - 3
J004 1515	Shaft:Cover:Upper	3 - 11
J502 3010	Paper Feed Roller	13 - 8
J503 3017	Paper Feed:Paper Bank:EXP:Ass'y	11 - 1
J503 3065	Cover:Cassette:Ass'y	11 - 2
J503 3075	End Fence:Ass'y	11 - 3
J503 3117	Paper Feed Unit:Ass'y	13 - 2
J503 3200	Cover:Vertical Transport:Ass'y	13 - 7
J503 3250	Friction Pad:Ass'y	13 - 10
J503 5100	PCB:Bank	13 - 1
J503 5300	Harness:Drawer	13 - 6
J503 5400	Spring Clutch:Feed	13 - 5

Part No.	Description	Page and Index No.
AW01 0100	Paper Feed Sensor	13 - 9
AW02 0145	Photointerruptor:Flat	7 - 1
AW02 0150	Photointerruptor:Flat:7mm	7 - 11
AX04 0223	Stepper Motor:Drive	13 - 4

Part No.	Description	Page and Index No.
0450 4008N	Tapping Screw - M4x8	7 - 102
0451 3006N	Tapping Screw - 3x6	3 - 101
0451 3006N	Tapping Screw - 3x6	7 - 101
0452 3008N	Tapping Screw - M3x8	3 - 102
0452 3008N	Tapping Screw - M3x8	7 - 103
0454 3006Q	Tapping Screw:3x6	3 - 103
1403 1301	Photointerruptor:SG113-RC80	7 - 2